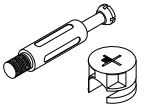
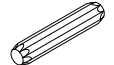


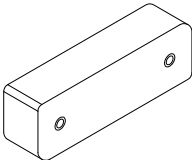

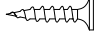
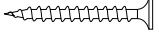
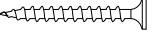
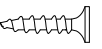
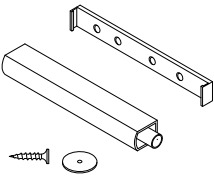
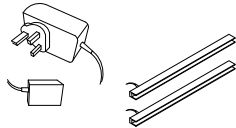
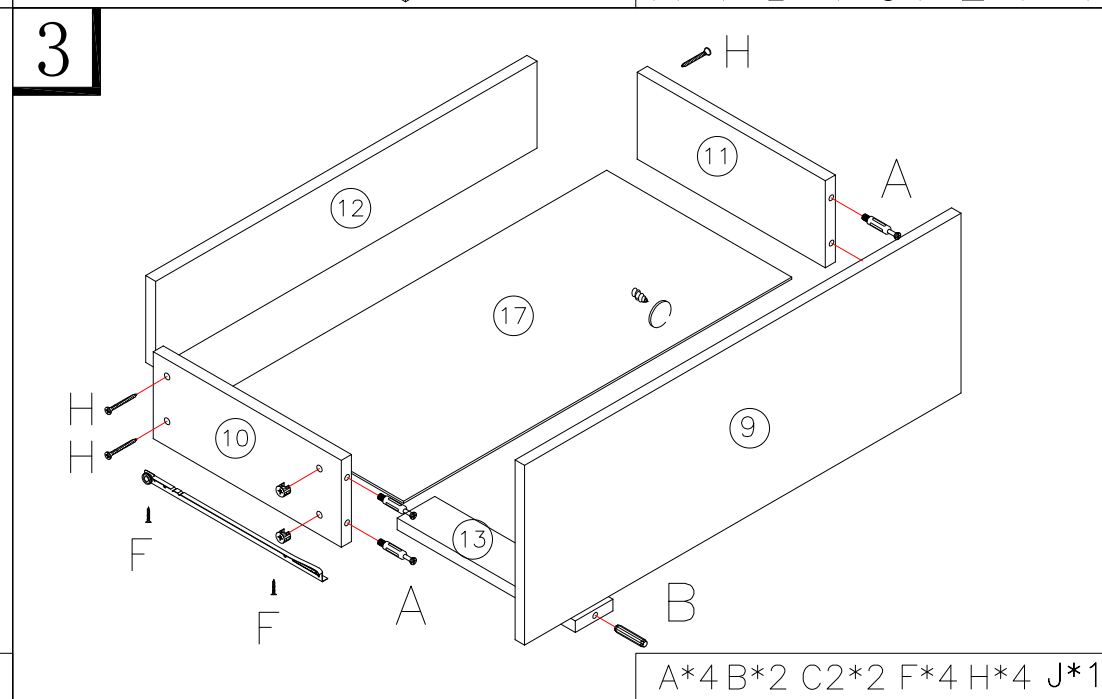
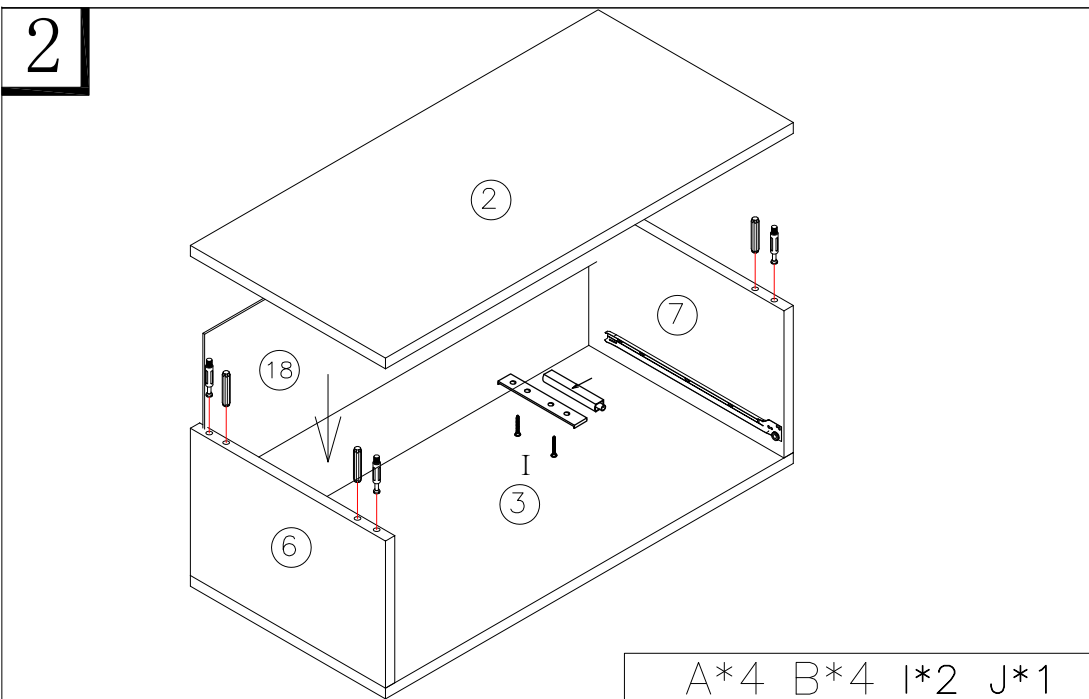
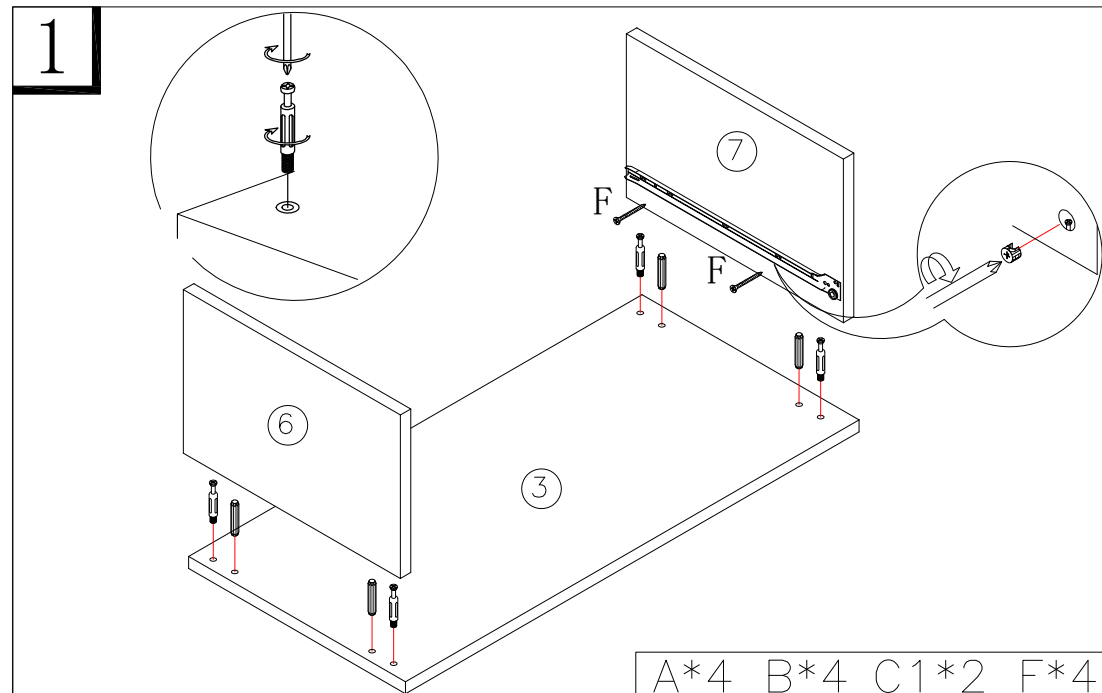


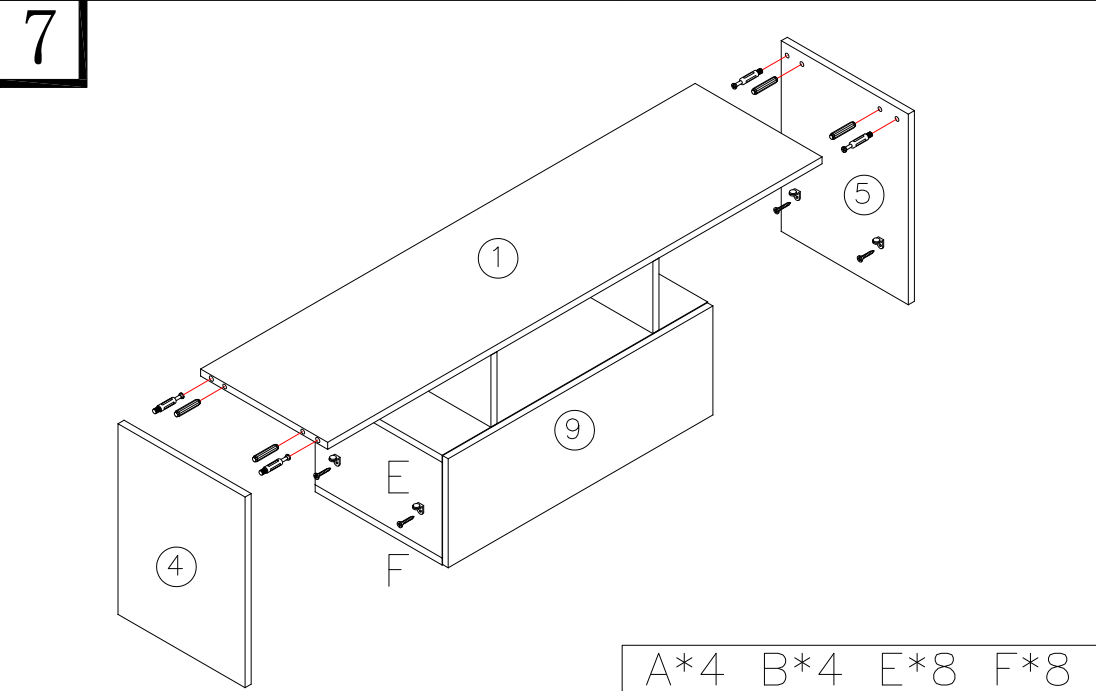
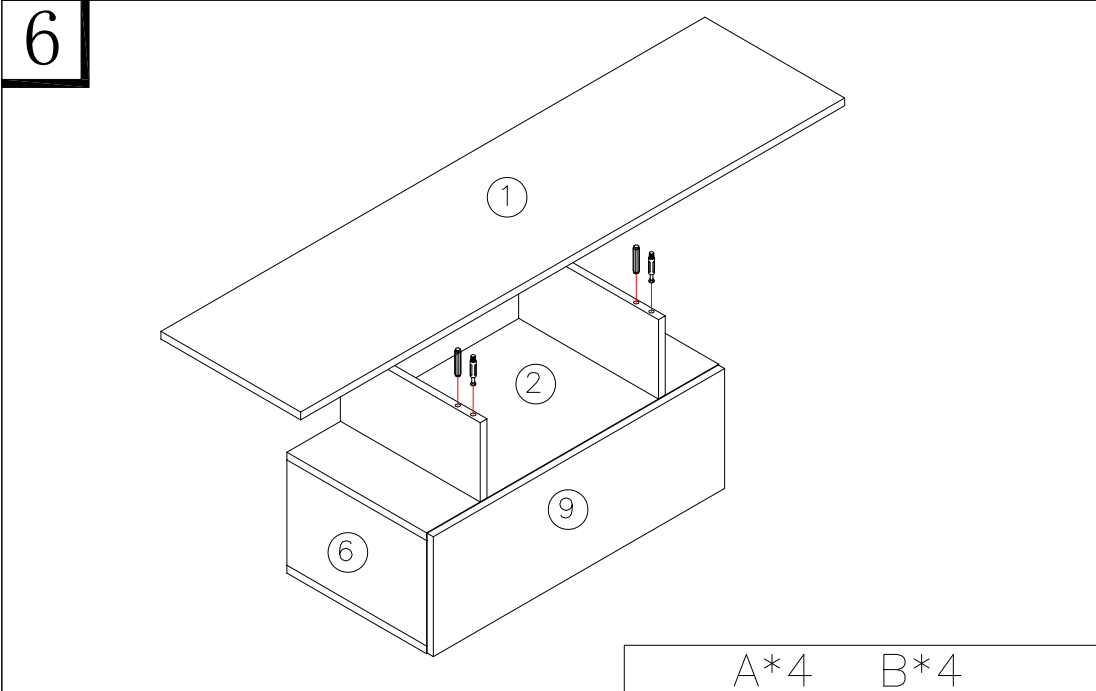
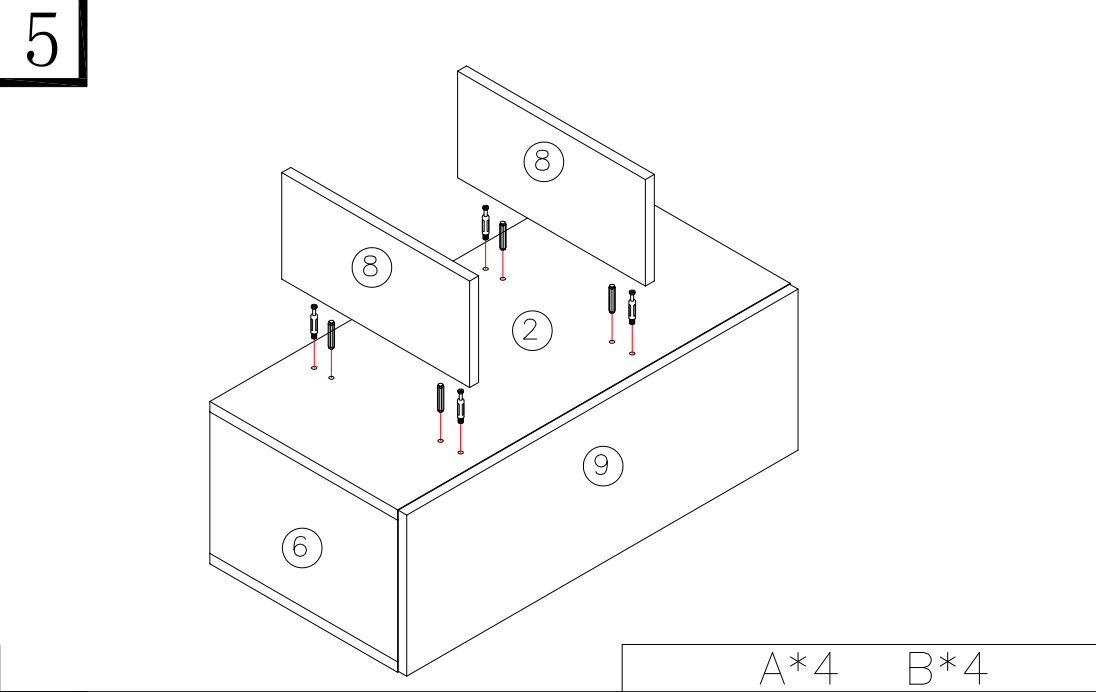
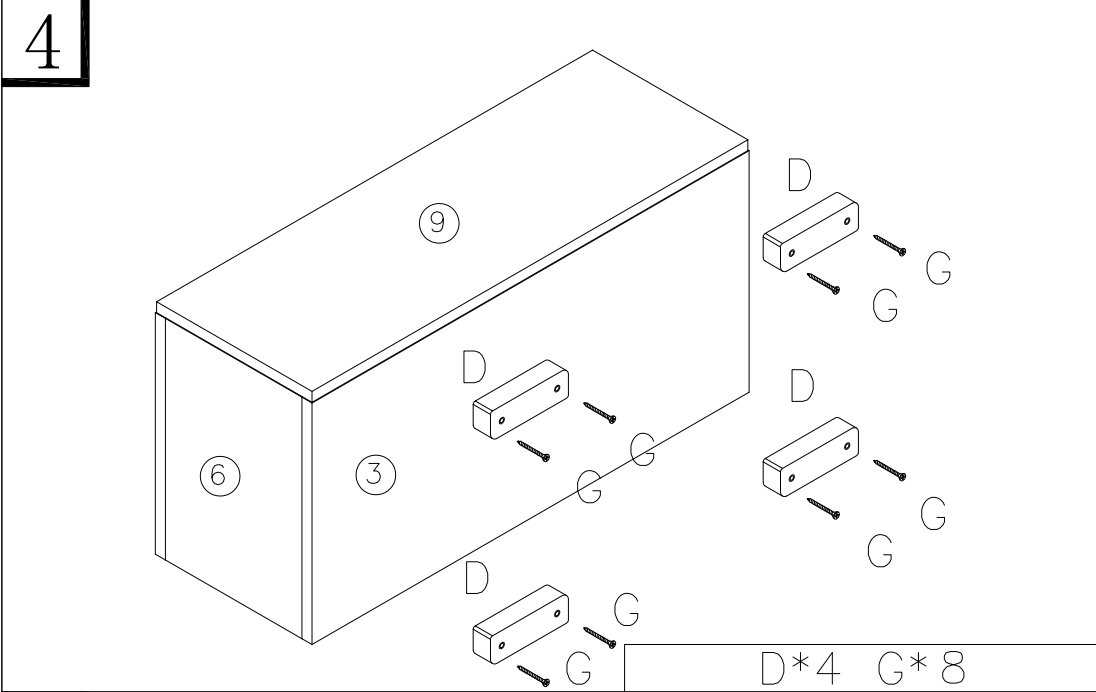
<p>A</p>  <p>32sets</p>	<p>B</p>  <p>31PCS</p>	<p>C</p> <p>C1x2</p>  <p>C2x2</p>  <p>1sets</p>	<p>D</p>  <p>4PCS</p>	<p>E</p>  <p>8PCS</p>	<p>F</p> <p>3.5*14</p>  <p>16PCS</p>	<p>G</p> <p>3.5*25</p>  <p>8PCS</p>	<p>H</p> <p>3.5*35</p>  <p>4PCS</p>
<p>I</p> <p>3*12</p>  <p>2PCS</p>	<p>J</p>  <p>1set</p>	<p>LED</p>  <p>1set</p>					

NOTE:

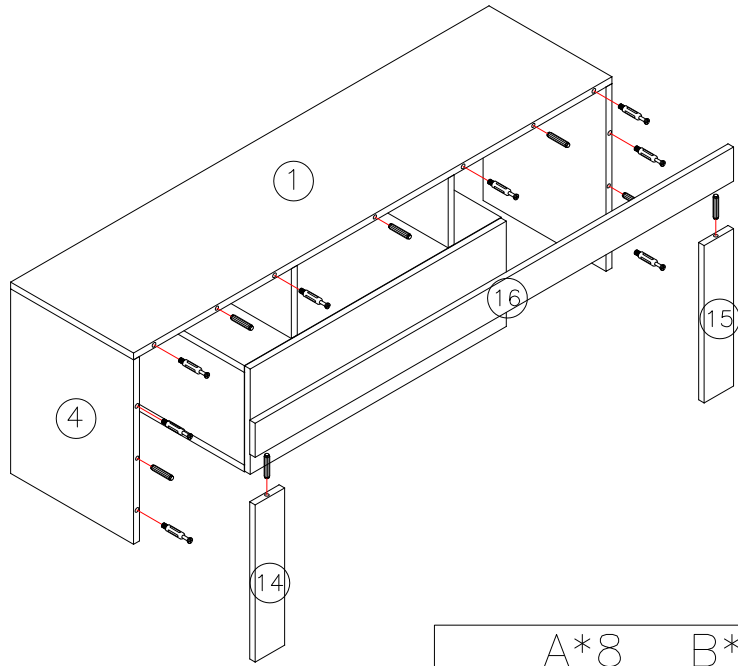
STEP1

PLEASE LOCK HARDWARE A FIRST, THEN PUT HARDWARE C1 ON SIDE BOARD 6 AND 7 USING F*4.





8



A*8 B*5

9

The following installation LED lights

