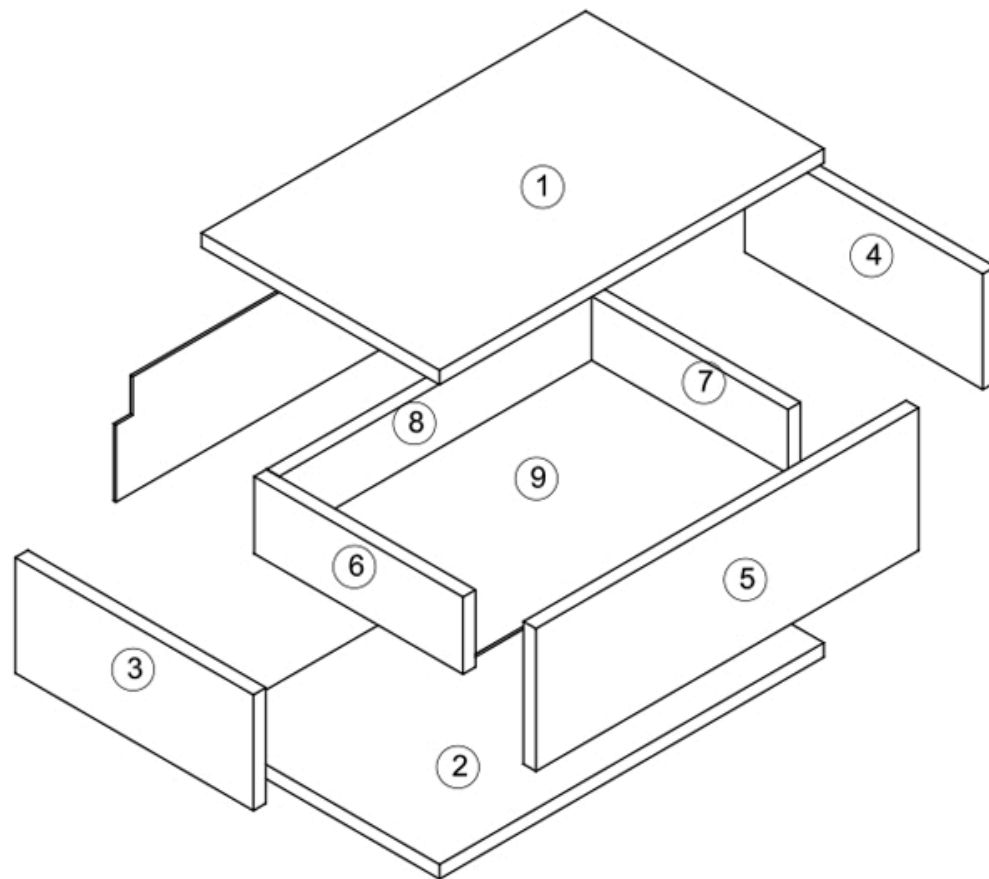
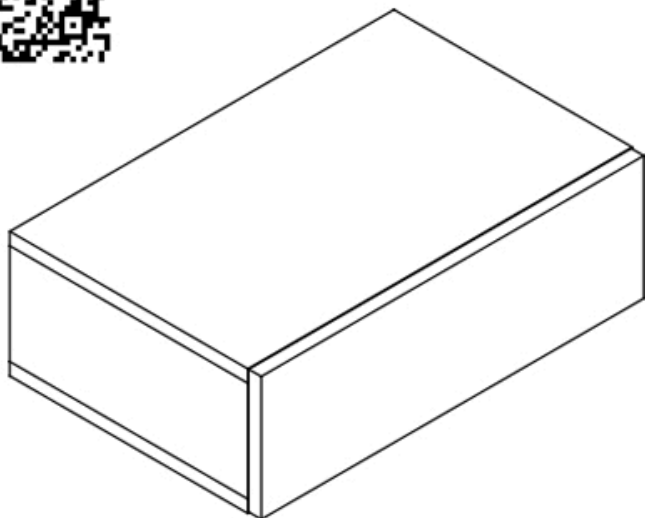



MNAO100




A




12sets


B



8pcs


C

C1 

C2 

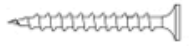
1set

D 3*14




10pcs

E 3.5*30




8pcs

F 4*50




4pcs

G



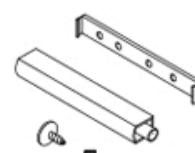
4pcs

H

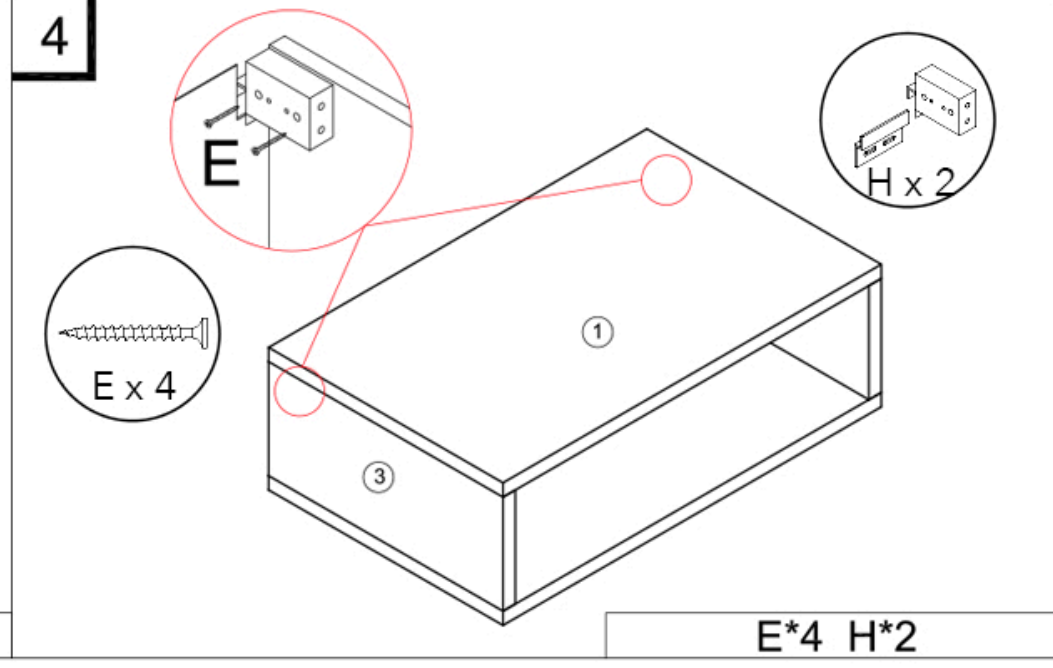
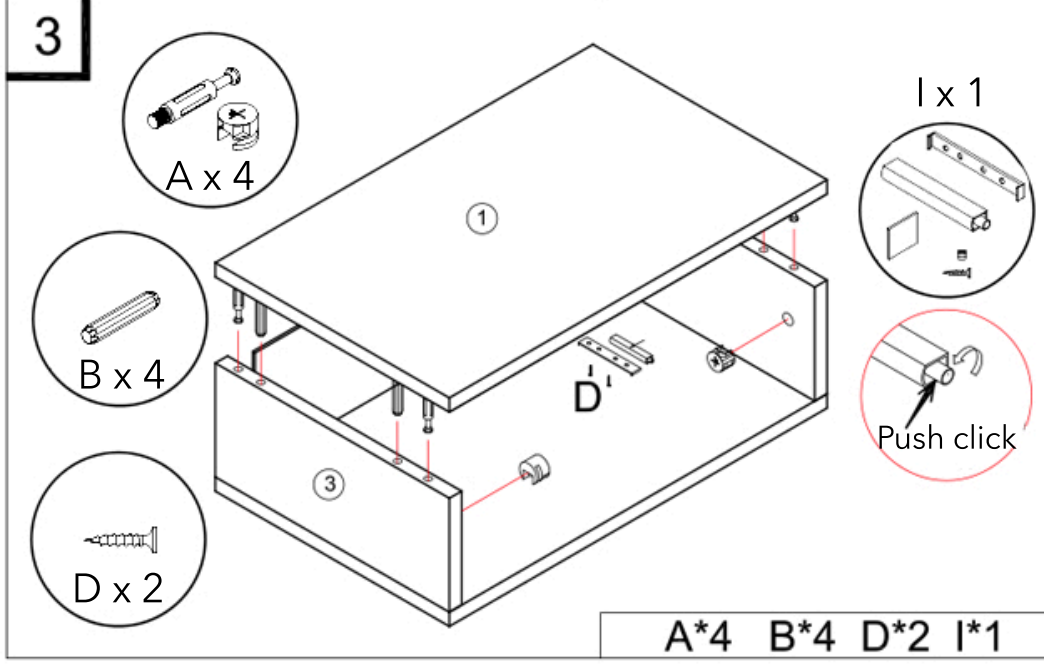
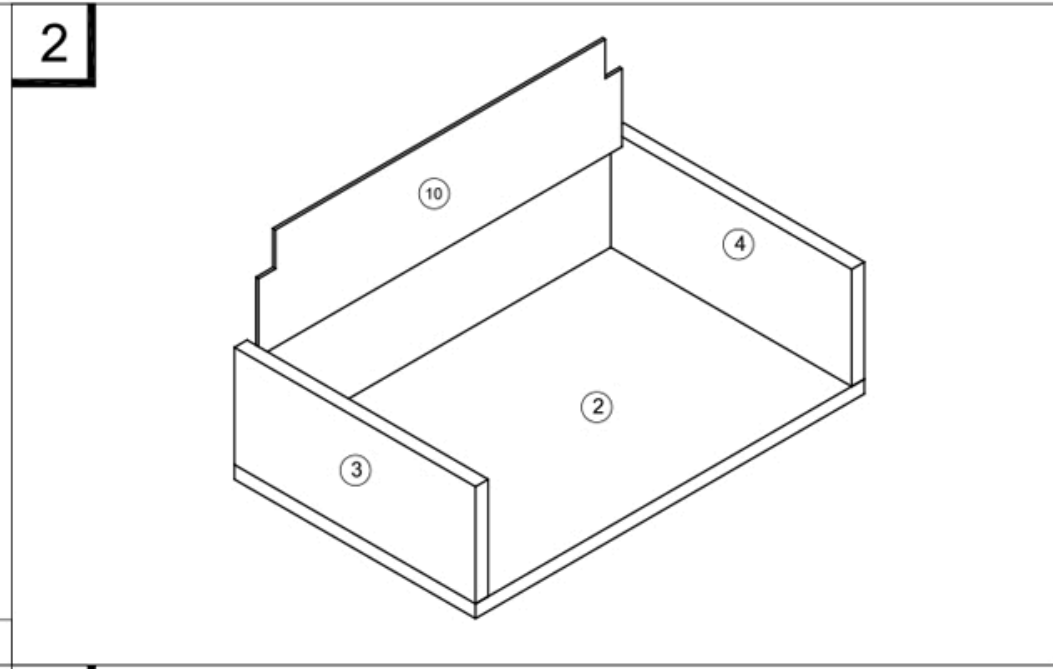
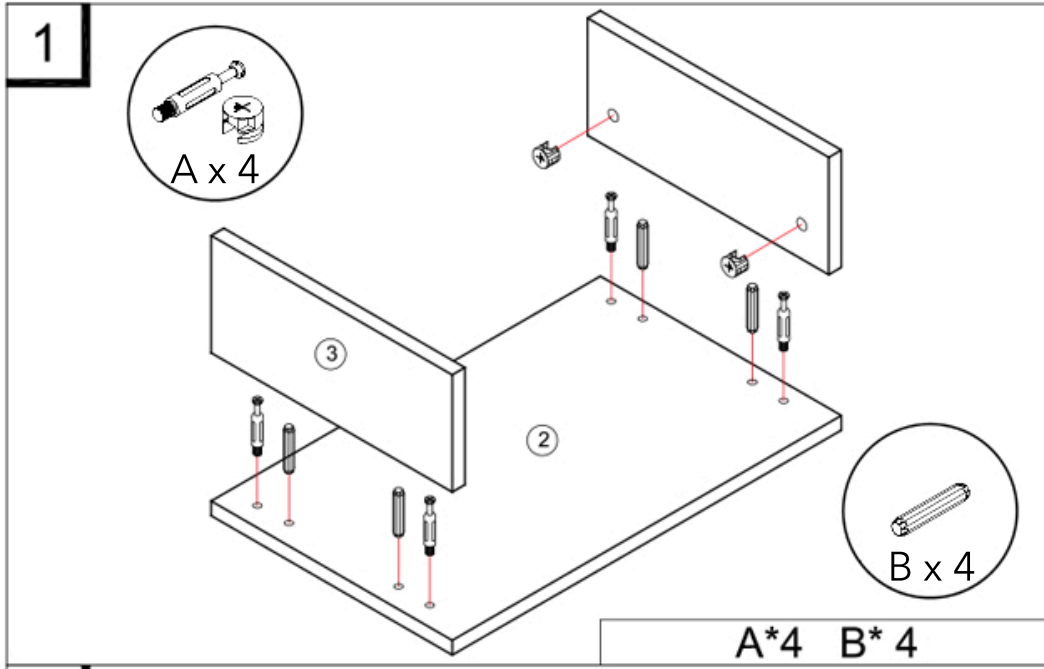


2sets

I



1set



C1x2

C2x2

I x 1

D x 4